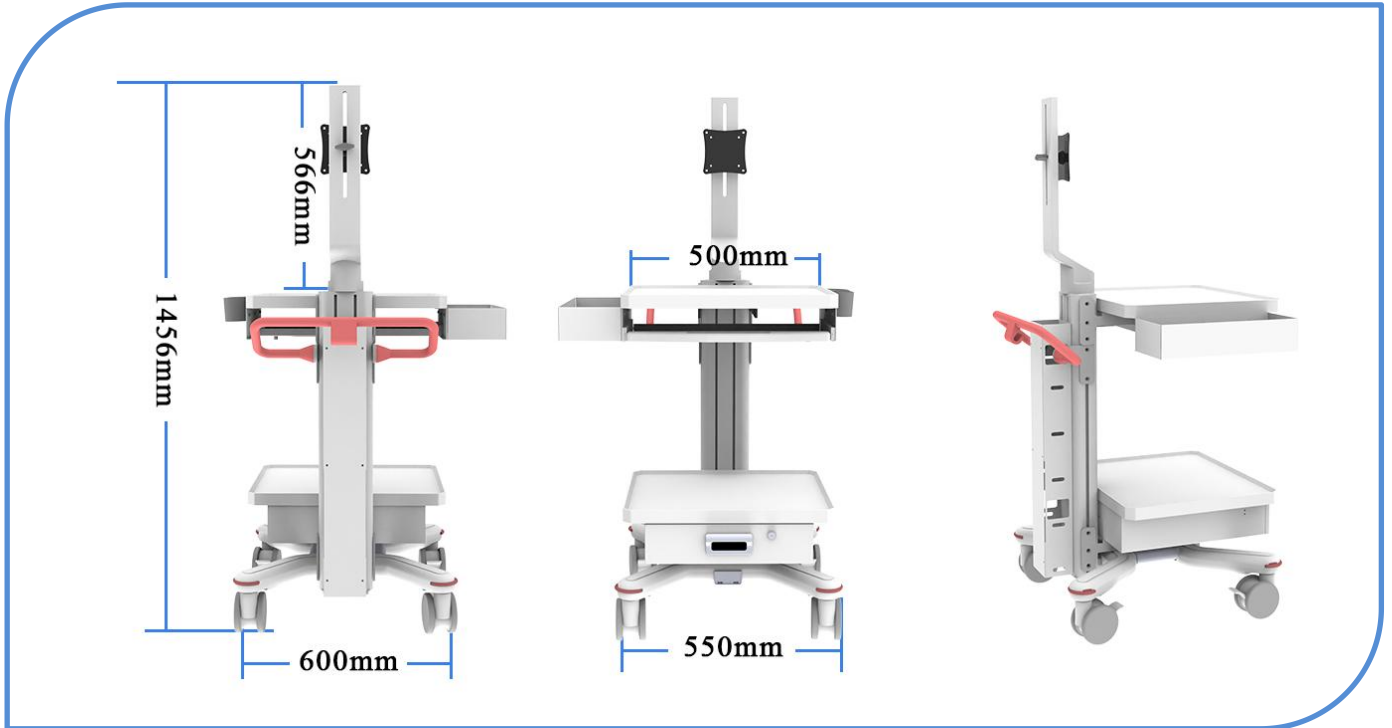


◆ **PRODUCT SPECIFICATION** ◆



CONFIGURATION	PARAMETER
Model	K08
Column	70*135*725mm(L*W*H)
Mounting platform	500*430*30mm
Base	600*550*165mm
Handle	Yes (ϕ 22*450*160mm)
Partition	Yes
Drawer	No
Keyboard	Yes
Wheel	Yes (2X4" brake)
Bearing Capacity	100Kg
Max push speed	2m/s
Max tilt	15°
Net weight	40kg
Carton dimension	670*620*970mm (L*W*H)
Gross weight	47.6kg

Beijing MediFocus Medical Co.,Ltd

Add: Room 101, building No. 3, No. 11 Tengren Road, Niulanshan Town, SHUNYI, Beijing, China

Tel: +86 (10) -61796973

Email: info@bjmedifocus.com

www.bjmedifocus.com

